

# C218

## WHEEL BALANCER FOR CARS, HEAVY-DUTY TRUCKS AND BUSES

### C218 WHEEL BALANCER

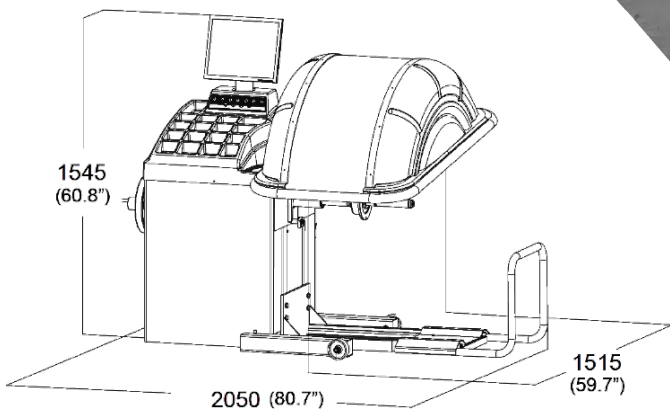
is a universal wheel balancer that operates at high precision on trucks, buses, light commercial, and car wheels thanks to a 40mm shaft and to a rich standard equipment including cones and adapter



# CEMB<sup>®</sup> USA

# C218

- **STATIC UNBALANCE ALWAYS DISPLAYED ON SCREEN**  
for full-time accuracy
- Electro-pneumatic stationary brake
- **AUTOMATIC ARM 2D**  
to measure automatically distance and diameter
- **PNEUMATIC LIFT**  
integrated, for wheels up to 550 lbs (250 Kg)
- **EMS RUNOUT SONAR:**  
Automatic and quick radial runout measurement with sonar during normal balancing cycle
- 51" wheel guard
- Made in ITALY



Power requirements	110 VAC, 50/60 Hz, 1 ph
Balancing speed	70 rpm (truck) - 100 rpm (car)
Measuring cycle	10 - 20 s
Unbalance resolution	0.25 oz (10 g) truck mode - 0.01 oz (1 g) car mode
Rim width setting range	1.5" - 20" (40 - 510 mm)
Rim diameter setting range	10" - 30" (265 - 765 mm)
Max. tire diameter	51" (1,295 mm)
Max. wheel weight	550 lbs (250 Kg)
Shaft diameter	40 mm
Operating pressure	8 - 10 bar (115 - 145 psi)
Machine weight	750 lbs (340 Kg)

## STANDARD ACCESSORIES

UC 215HW 41FF59368



MANUAL LOCKING



## OPTIONAL ACCESSORIES

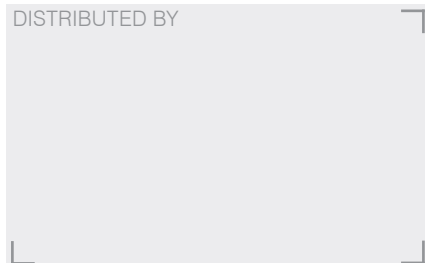
SR215/2 STAR ADAPT. - 41FF67879

DAYTON ADAPTOR 24.5" - 94FF37123

For a complete list of accessories and more information visit our website [www.cemb-usa.com](http://www.cemb-usa.com)

# CEMB<sup>USA</sup>

CEMB<sup>USA</sup> - BL Systems Inc.  
2873 Ramsey Road, Gainesville GA 30501 - USA  
Phone +1 (678) 717-1050 - sales@cemb-usa.com  
[www.cemb-usa.com](http://www.cemb-usa.com)



Because of continuing technological advancements, specifications, models and options are subject to change without notice.