

# ER71

**LASER**

**DIGITAL WHEEL  
BALANCER FOR CARS  
AND LIGHT TRUCKS**

**ER71 DIGITAL WHEEL BALANCER**

for medium to large size garages,  
car dealers, tire shops or any  
business wanting to be able  
to balance all aluminum wheels  
with precision, speed and accuracy.



**CEMB<sup>®</sup> USA**

# ER71

LASER

- MULTIFUNCTIONAL DIGITAL PANEL with Direct Weight Placement program and Behind Spoke (Split) mode

## CEMB® PATENT

- VDD Virtual Direct Drive Quick measurement system



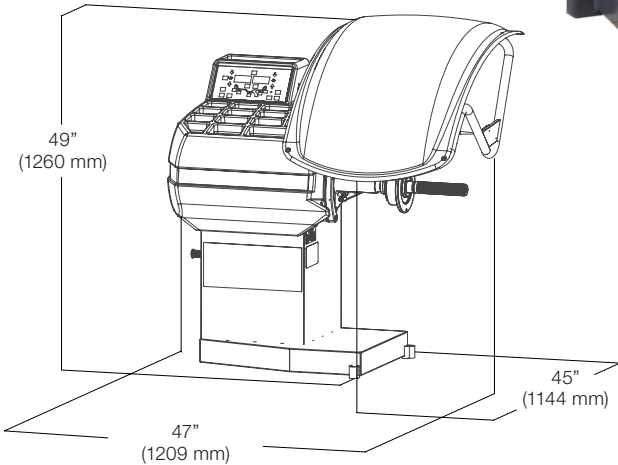
- LASER and LED LIGHT for easy weight positioning inside the rim

- ELECTROMAGNETIC BRAKE holds the wheel in position

- Made in ITALY

- WIDTH SONAR 3D for automatic measurement of wheel width (optional)

- NEW AUTOMATIC ARM 2D to measure automatically diameters up to 30"



Power requirements	110 VAC, 50/60 Hz
Balancing speed	100 rpm
Measuring cycle for 15 kg (33 lbs) wheel	4.7 s
Unbalance resolution	< 0.01 oz (<1 g)
Rim width setting range	1.5" - 20" (40 - 510 mm)
Rim diameter setting range	10" - 30" (265 - 765 mm)
Max. tire diameter	40" (1,016 mm)
Max. wheel weight	165 lbs (75 Kg)
Shaft diameter	40 mm
Machine weight	354 lbs (160 Kg)

110 VAC, 50/60 Hz
100 rpm
4.7 s
< 0.01 oz (<1 g)
1.5" - 20" (40 - 510 mm)
10" - 30" (265 - 765 mm)
40" (1,016 mm)
165 lbs (75 Kg)
40 mm
354 lbs (160 Kg)

## STANDARD ACCESSORIES

UC20/2 GLM40 41FF83150



MANUAL LOCKING



## OPTIONAL ACCESSORIES

RL CUP - 41FF79255

SR-USA STUD ADAPT. - 41FF56189

SRU345 STUD ADAPT. - 41FFA6478

2-PIECE TRUCK CONE KIT - 41FF86174

UNIV. MOTORCYCLE ADAPT. - 41FF87401

WBL81 WHEEL LIFT - 46FL85170-KIT

# CEMB® USA

CEMB® USA - BL Systems Inc.  
2873 Ramsey Road, Gainesville GA 30501 - USA  
Phone +1 (678) 717-1050 - sales@cemb-usa.com  
www.cemb-usa.com

